

# LON Lonworks® Gateway TO

Ethernet protocols and serial protocols

## LONWORKS® Gateway

Das multifunktionelle Gateway ermöglicht die Datenübertragung zwischen LONWORKS® und anderen seriellen Protokollen oder Ethernet-Protokollen. Anwendung in den Branchen Gebäudeautomation, HLK, und Prozessautomation.

Feature rich protocol translator enables data transfer between LONWORKS® protocol and an extensive library of other serial and Ethernet protocols used in building automation, HVAC, fire and process control industries.

## LONWORKS® – Serial – Ethernet

Das vorliegende LONWORKS® Gateway ist ein Protokoll Übersetzer für die Kommunikation der Außenwelt mit LONWORKS® Netzwerken. Beispiel: Eine Kälteanlage mit einem proprietären Protokoll, das zur Weiterleitung der Alarminformationen mit einem LonWorks® Netzwerk kommunizieren muss.

Zusätzlich zur LONWORKS® Steckeranschluss, hat das Gateway eine seriellen (RS-232 oder RS-485) und Ethernet (10BaseT)-Anschluss. Die Konfigurations-Dateien können über den seriellen Anschluss oder über den Ethernet-Anschluss geladen werden. Es werden zum Betrieb des Gateways keine weiteren Softwares benötigt. Leitsystem IT leistet Support für alle Systeme und Feldbusse.

LONWORKS® Gateway is a protocol translator which enables devices using legacy protocols to communicate with LONWORKS® networks. An example is a alarm panel using a proprietary manufacturer's protocol needing to supply alarm information to a LONWORKS® network. In a single, comprehensive package the Bridge provides the hardware and software necessary for this translation. In addition to the LONWORKS® connector, the bridge includes a serial (RS-232 or RS-485) and Ethernet (10BaseT) connector. Configuration files can be downloaded via the serial or Ethernet port. All the necessary software and instructions for configuration are provided with the bridge unit. Leitsystem IT also offers fee based configuration services.

## Specifications

- **LONWORKS® :**
  - FTT-10 twisted pair,
  - Max. 1000 Network variable capability
  - UNVT or SNVT variable support
  - Explicit (Polled Mode) or Implicit (Bound Mode) Addressing
- **Ports:**
  - Ethernet 10BaseT RJ45 connector
  - Serial RS-232/RS-485 selectable
- **Drivers:**
  - Drivers available for a wide range of Ethernet and serial protocols – check driver sheet on next page.

## Host PC Connections (for Configuration)

- Ethernet 10BaseT or RS-232/RS-485 selectable

## Mounting Options

- Desktop, Wall, DIN rail, OEM Print,

## LED Indicators

- Power, Run, System Error, Configuration Error
- Ethernet – Tx/Rx communication activity
- RS-232/RS-485 – Tx/Rx communication activity

## Power Requirements

- 24 VAC Floating (voltage variation + 10%)
- 9-30 VDC @ 8W

## Physical Dimensions of the Box solution

- (WxDxH) (100 x 100 x 50 mm) 0.8 Kg



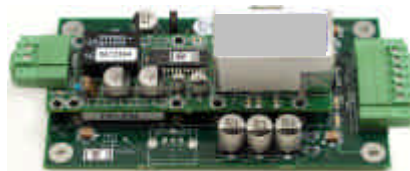
(a) Lonworks® gateway and protocol Translator in a Box.

## Other:

- Service Pin for LONWORKS® Node identification
- OPC server available
- Configuration and Diagnostic utility
- System integration services available
- Also available as a OEM Built In Unit (see picture b)

## Physical Dimensions of the Print solution

- (WxDxH) (106 x 60,9 x 30 mm)



b) Lonworks® gateway and protocol Translator Print LON FT10 To Modbus RTU RS485 / RS232



(c) Multiprotocol bridge as a OEM Built In Unit

**Environment:**

- Operating temperature: 0-60oC (32-144oF)
- Relative humidity: 10-95% RH non-condensing

**Driver Sheet for the bridge unit:****A wide range of Ethernet and serial protocols****Ethernet Drivers**

Allen Bradley CSP  
 Allen Bradley EtherNet/IP  
 BACnet Ethernet  
 BACnet IP  
 GE-EGD  
 GE-SRTP  
 Modbus TCP  
 Omron FINS  
 OPC  
 SMC TCP/IP  
 SNMP  
 Telnet  
 TL1

**Fieldbus Drivers**

Allen Bradley DH+  
 BACnet ARCNET  
 ControlNet  
 ControlNet  
 DeviceNet Master  
 DeviceNet Slave  
 LonWorks®  
 Modbus Plus  
 Profibus X30 DP Slave  
 Profibus X30 DP Master

**Serial Drivers**

Allen Bradley DF1  
 ASCII, General Purpose  
 ATMI ACM  
 ATMI TGM  
 B&B Electronics SDD16  
 BACnet MSTP  
 BACnet PTP  
 Canatal  
 Carrier DataLink  
 Carrier DataPort  
 Caterpillar M5X  
 CEI-ABI  
 Cleaver Brooks (CB Link)  
 DataAire DAP  
 DataAire DART  
 DNP 3.0  
 Envirotronics System Plus  
 EST3 ECP  
 EST Quickstart  
 FCI Model 7100  
 FCI Model 7200  
 Fike Cheetah  
 Gamewell  
 Gardner Denver  
 GE MarkIV Speedtronic  
 GE-SNP

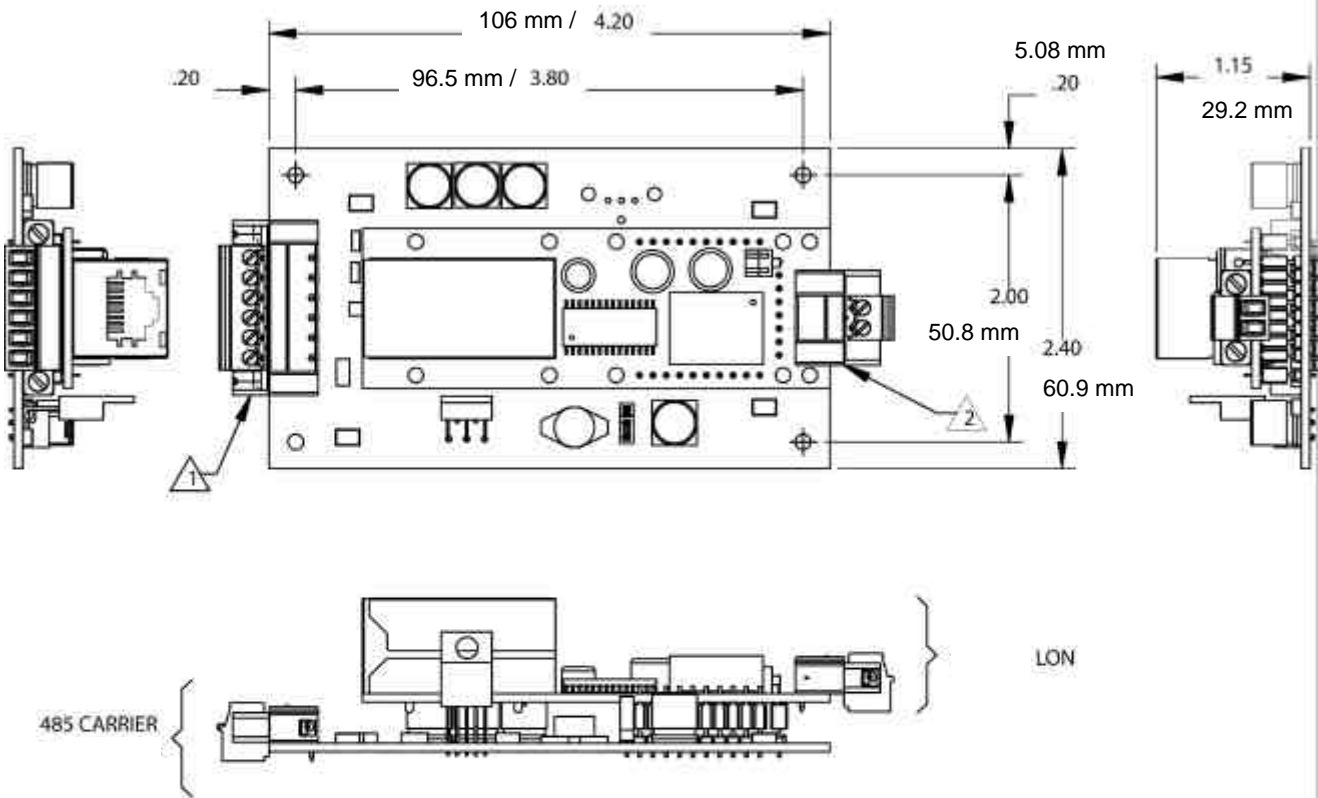
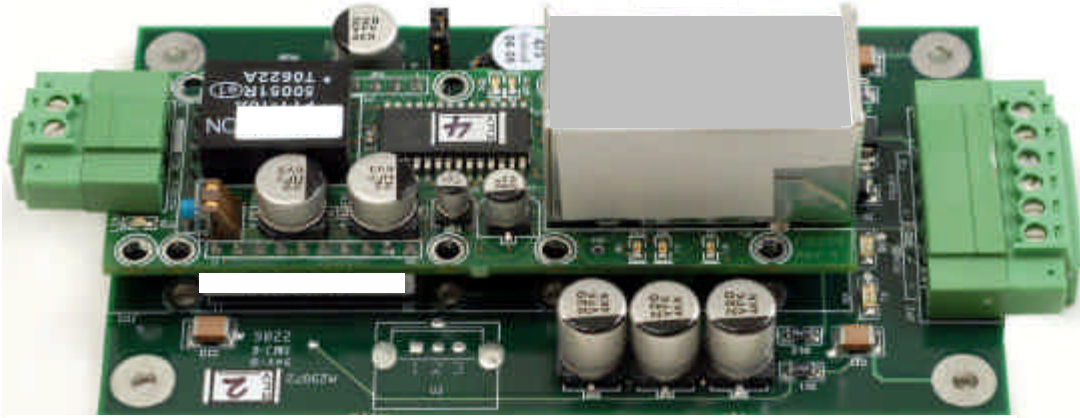
GE Total Lighting Control  
 Grinnell TFX Minerva  
 Honeywell Zellweger IR-148-8 8-Channel  
 Honeywell Zellweger System 16  
 ILCO-9000 Millennium  
 JBus  
 Lutron eLumen  
 Lutron eLumen Machine  
 Lutron Grafik 6000  
 Lutron microWATT Plus  
 McQuay  
 Metasys DX9100  
 Metasys N2  
 Mitsubishi CHC-MF  
 Modbus ASCII  
 Modbus Daniels  
 Modbus Omniflow  
 Modbus RTU  
 Modbus Tek-Air  
 National Time & Signal FACP  
 Notifier 1010/2020  
 Notifier AFP 200/300/400/600  
 Notifier INA  
 Notifier Italia AM6000  
 Notifier NCA  
 Notifier Onyx NFS-640  
 Notifier Onyx NFS-3030  
 Opto 22 Optomux  
 Pneumatic Products ADC  
 Rapid Engineering ICSI or ICSII Controller Protocol  
 RussElectric Model 2000  
 Secutron  
 Setra  
 Siemens Fire Safety FSI  
 Siemens Fire Safety MXL  
 Siemens Fire Safety FireFinder XLS  
 Siemens TIWAY 1  
 Silent Knight  
 Simplex 4100  
 SMC 2450  
 SMC 5000  
 Spectronics  
 TAC I/Net  
 United Power FIM  
 Veeder-Root  
 VESDA  
 Weightronics  
 WS3000 TABS  
 YorkTalk

**Order Description: Exemples**

- GatewayBox Lonworks ® FT10 to Modbus RTU
- GatewayBox Lonworks ® FT10 to Modbus ASCII
- GatewayBox Lonworks ® FT10 to Modbus TCP
- GatewayBox Lonworks ® FT10 to Bacnet PTP
- GatewayBox Multiprotocol

**Supplier, Support and Integrations - Help:**

Leitsystem IT G.m.b.H.  
 Home: <http://www.leitsystem.ch>  
 Email: [host@leitsystem.ch](mailto:host@leitsystem.ch)



**NOTES:** UNLESS OTHERWISE SPECIFIED:

- △ 1 JP2
- JP2-1: RS485 +
  - JP2-2: RS485 -
  - JP2-3: RS485 GROUND
  - JP2-4: POWER +
  - JP2-5: POWER -
  - JP2-6: POWER FG

- △ 2 JP1
- JP1-1: LON NETWORK
  - JP1-2: LON NETWORK

**Lonworks to Modbus  
Lonworks To Bacnet**

Board for Application Note:  
[www.leitsystem.ch](http://www.leitsystem.ch)